

REIZEN

SPECIFICATION SHEET
ARCHI-COLOR® W+RGB

INDIRECT ASYMMETRIC LUMINAIRE

Housing

Diameter : 13" x 9.8"x4.3" | Weight : 19.8 lbs

Material

Housing : High Pressure Die-Cast Aluminum
Lens : Tempered Glass

Power Input

150W | 120-277V

Lumen Output

11,265 lm (150W)

Dimming

DMX : High resolution dims to 0.1% (Supports ANSI E1.20 RDM protocol)

Color Quality

CRI 85

Rated Life

> 100,000 Hours (L70)

Finish



Black

White

Color Temperature



Archi-Color® W+RGB

3000K

Optics



Asymmetric

Mounting



Stem
Mount

Wall
Mount

Warranty

5 Year limited warranty

Listing



Light Shaping Prismatic Technology

Using the latest light shaping prismatic technology, the Reizen offers smooth uniform asymmetric lighting up to 40,850 lumens, and is suitable for both outdoor and natatorium use. It features Tunable White and Archi-Color® W+RGB color changing options, offering a subtle yet dramatic flair to any space.

Superior performance, in a compact-sized fixture is a true highlight of the Reizen luminaire, which are available in both sconce and pendant forms.



SPECIFICATION

PROJECT NAME

DATE

CATALOG #

QUANTITY

The product configurator function on this page works only with the latest version of Chrome or Adobe Acrobat Reader.

<input type="text" value="RI"/>	MODEL	REIZEN		
<input type="text" value="150"/>	WATTAGE	150 150W		
<input type="text" value="308C"/>	CCT / CRI	308C 150W Light Engine 3000K +RGB / CRI 85 Archi-Color® W+RGB		
<input type="text" value="UNV"/>	VOLTAGE	UNV 120 – 277V		
<input type="text"/>	DIMMING	DMXR ¹ DMX dims to 0.1% (RJ45 Sockets)	DMXW ² DMX dims to 0.1% (Hard-Wired)	
<input type="text" value="ASY"/>	BEAM ANGLE	ASY Asymmetric		
<input type="text"/>	FINISH	BLK Black	WHT White	
<input type="text"/>	MOUNTING	WLM Wall Mount	ST4 Stem 4ft	ST8 ³ Stem 8ft
<input type="text"/>	ACCESSORIES	GSV ⁴ Glare Shield Visor		

CLEAR FORM

¹ DMXR is not compatible with ST4, ST8

² DMXW option is connected through 3 DMX Positive / Negative / Common wires

³ Includes two 4ft stem connected by an adapter

⁴ GSV option reduces delivered lumens by ~10%

TECHNICAL DETAILS

Electrical

- 11,265 lm (150W)
- Power Input : Universal (120-277V)
- Operating Temperature : -40°F~113°F
- Surge Protection : Built-in is 4KV
- Power Factor Greater than 0.9

LED Features

- Color Temperature : 3000K + Archi-Color® W+RGB
- CRI 85
- Long lasting LED luminaire tested under TM21 lumen maintenance L70 @ 100,000 Hrs

Optics

- Precision molded high transmittance clear PC lens
- Beam Angle : Asymmetric

Advanced Dimming

- Proprietary VX Driver™ is integrated across all dimming options, delivering video flicker-free performance and full compliance with IEEE 1789.
- DMX : high resolution dims to 0.1% (Supports ANSI E1.20 RDM protocol)

Housing

- Diameter & Weight : 13" x 9.8" x 4.3", 19.8lbs
- Diameter & Weight with Visor : 13" x 14.8" x 4.3", 22.9lbs
- Material : High Pressure Die-Cast Aluminum, Tempered Glass

Mounting

- Wall Mount
- Stem Mount

Warranty

- 5-year limited warranty

Listing

- ETL Damp Location Listed
- CE
- UKCA
- FCC

PERFORMANCE SUMMARY*

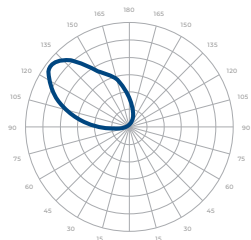
	Delivered Lumens			
LIGHT SOURCE/CCT	R (25W)	G (25W)	B (25W)	W (75W)
308C	310lm	2,750lm	205lm	8,000lm

*Beam Angle: Asymmetric * Tolerance ±8%

	Current Consumption	
Light Source	120V	277V
308C (150W)	0.88A	0.43A

PHOTOMETRICS

Below is a typical photometric representation of the Reizen fixture. Please download IES files to ensure exact photometric value.



Asymmetric

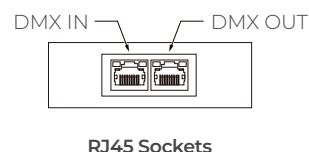
DMX REQUIREMENTS

The Reizen Archi-Color® W+RGB fixture with DMX is a **four channel dmx** unit. When placing an order, please indicate DMX address. (The DMX address will be listed on the back of the fixture). Do not connect more than 32 fixtures per DMX daisy chain.

Fixture	DMX Address			
	Red Control (ex. X)	Green Control (ex. X+1)	Blue Control (ex. X+2)	White Control (ex. X+3)
#1	1	2	3	4
#2	5	6	7	8
#3	9	10	11	12

The fixture can be connected with RJ45 sockets. DMX cables **are not** included; please refer to compatible DMX cabling list for more information. The final fixture on each daisy chain should be terminated by the use of a DMX terminator purchased from a 3rd party or from Meteor.

CONNECTION	RJ45 (CAT5e)	RJ45 (CAT5e)
Common	WHITE/BROWN(PIN7) & BROWN (PIN 8)	Black
Signal -	ORANGE (PIN 2)	White
Signal +	WHITE/ORANGE (PIN 1)	Blue
Spare	-	
Spare	-	

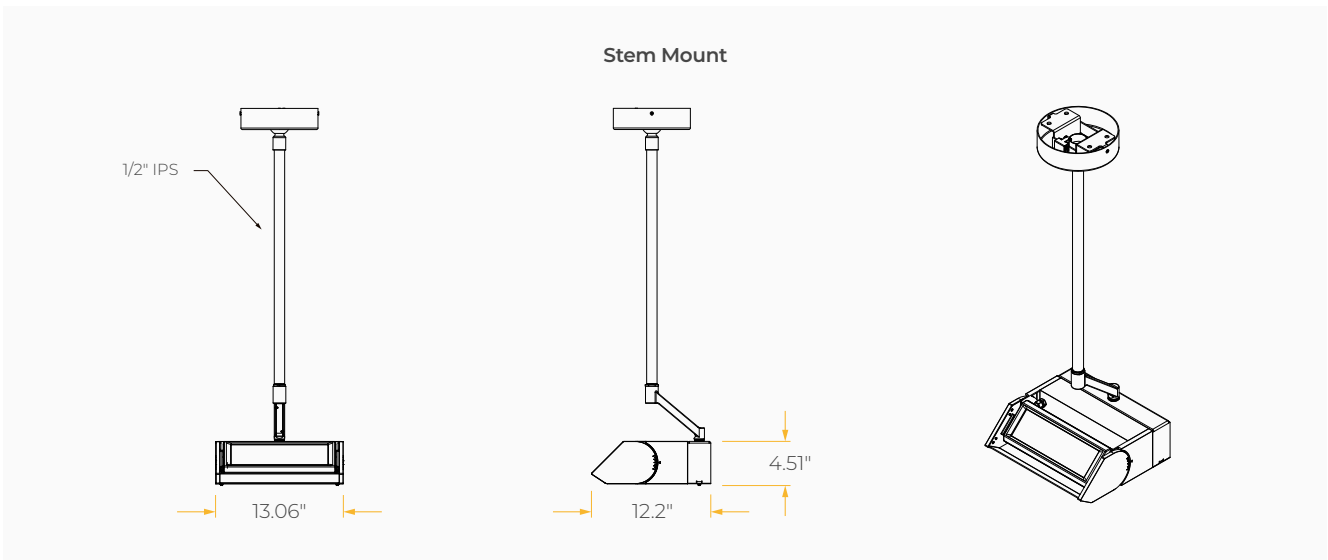
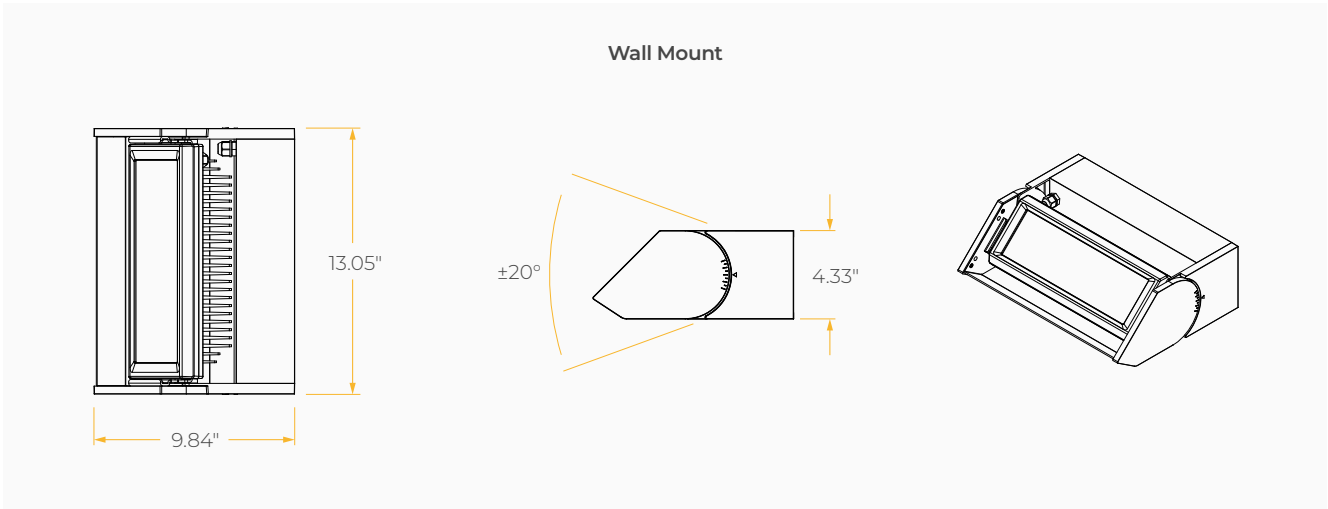


COMPATIBLE DMX CABLING LIST

DMX uses a cable consisting of two twisted pairs plus a shield to carry data. The cable must be specifically impedance matched for the digital DMX signal, meaning that microphone cable or other non-rated cable **must not be used to carry DMX**. Network cable (Cat5, 5e or 6 cable) may be used to carry DMX in an installation; however special consideration must be given to shielding and termination. Under no circumstances should solid core cable like Cat5 be terminated into a screw down connector.

Meteor recommends the use of Belden 9729 for DMX installation. Belden 9729 is a two pair cable, which allows for a spare pair for 'out and back' type terminations if needed.

DIMENSIONS



ACCESSORIES

